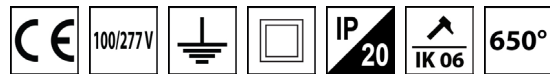


Rapid IP65 junction box 3 entry for CL1 et CL2 luminaires...



### PRODUCT COLOR



### LIFE TIME AND WARRANTY

Warranty	2 ans
Compliance marking	CE
Inflammable surface compliancy	F

### OPTIONS

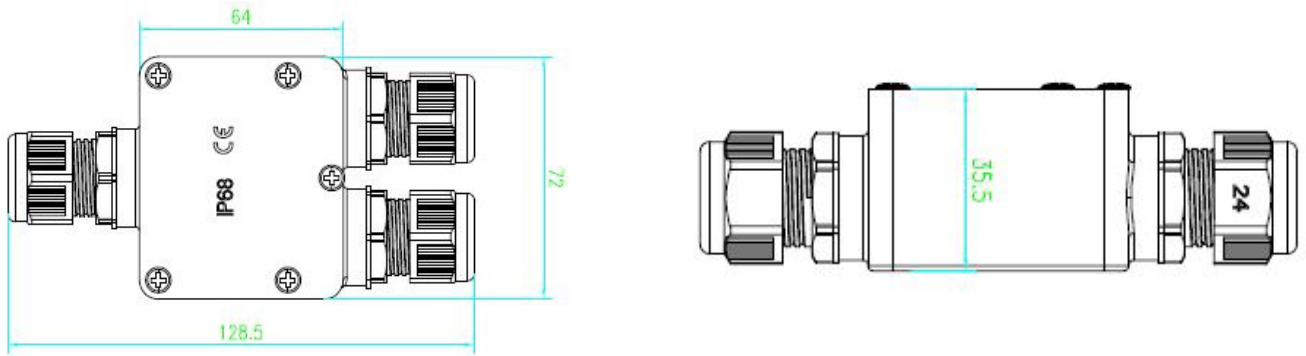
Cable compatibility	Flexible & rigid
Product family compatibility	WALLY series STRATOS series SHARK series PEGASUS RGB series

### GENERAL SPECIFICATION

Family	RADBOX IP65
Nominal voltage	300V
Rated surge voltage	4Kv
Operating temperature range Ta	-35/+55 °C
Insulation material	Polyamide
Contact material	Copper, silver plated
Rubber material	Silicone
Power supply and connection	Connector 2/3/4/5P 16A
Connection point per pole	2x hole pole
Gland tightening torque	2,5nmNm
Strip lenght (outter insulation)	20-30mm
Strip lenght (inner insulation)	6-10mm
Accessories	Isolated wire
Maintenance	Antistatic tissu; Humid tissu
Remarks	Compliant driver DALI CL2 [RADBOXX4/5PCLIIW]

### TECHNICAL DATA

Reference	Rated current (A)	Pole and connection	Conductor	Color	Dimensions (mm)
RADBOXIP65T3P	16	3P push	0.75-2.5mm <sup>2</sup>	RAL9017	128x72x36
RADBOXIP65T4P	16	4P push	0.5-1.5mm <sup>2</sup>	RAL9017	128x72x36
RADBOXIP65T5P	16	5P push	0.5-1.5mm <sup>2</sup>	RAL9016	128x72x36

**2D drawing****Instruction paper**