


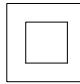
- Directions for use • Manual de instrucciones • Mode d'emploi



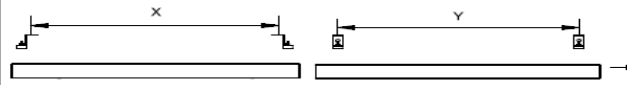
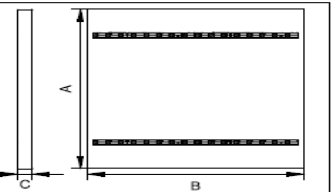
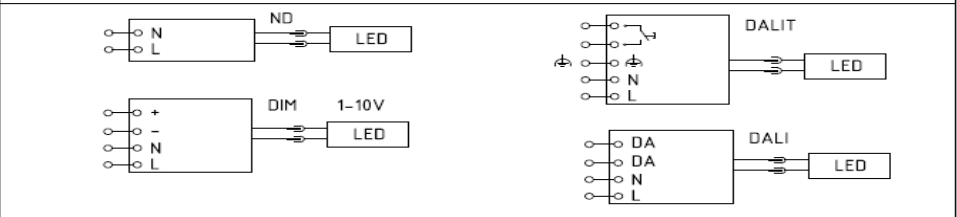
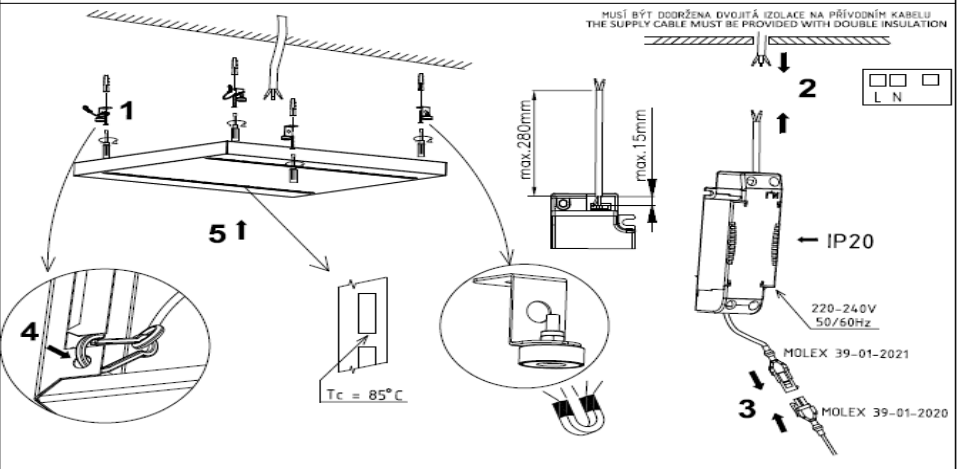
LED

IP
20

220-240V
50-60Hz



	A mm	B mm	C mm	X mm	Y mm
EPD 2000 SS	595	595	40	500	500
EPD 4000 SS	595	595	40	500	500

Attention! The lighting unit may only be assembled by a skilled firm or by person with electrotechnical qualification.

The light source of this luminaire is not replaceable, when the light source reaches its end of life the whole luminaire should be replaced.

The warranty period of this product is 24 months from the purchase date. The warranty doesn't cover damage caused by improper handling.